

**HONDALINE<sup>®</sup>**

**INSTRUCTION MANUAL**  
**FAIRING KIT FOR V45 SABRE**

**MANUEL D'INSTRUCTION**  
**KIT DE CARENAGE POUR LA V45 SABRE**

**'83**

# **V45 SABRE FAIRING KIT**

**NOTE:** This fairing is designed for use only on the V45 SABRE motorcycle.

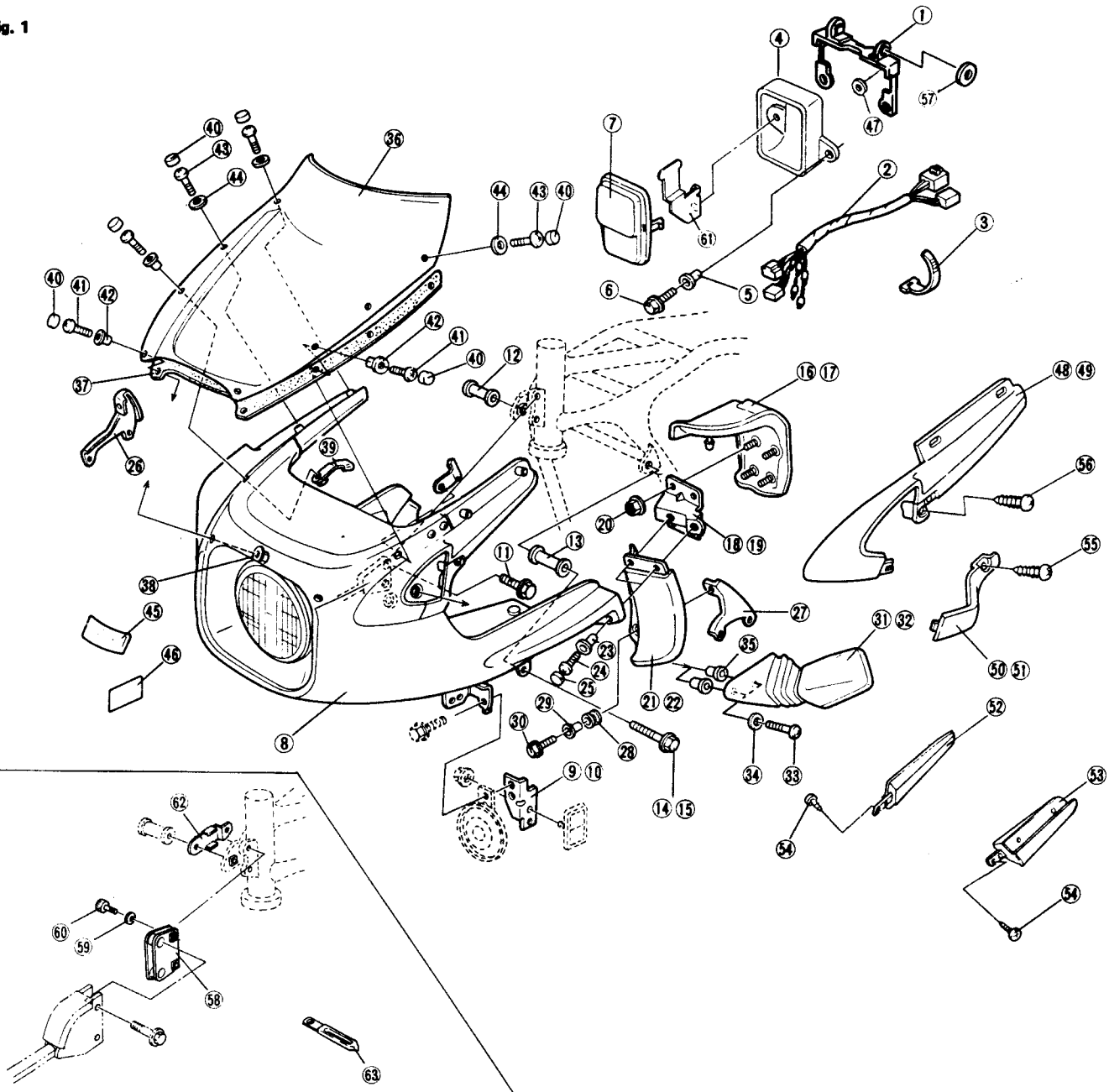
The following steps are necessary to install this kit on your motorcycle: 1) Re-routing of the headlight circuits and 2) Adjustment and inspection of the installation.

Improper installation or adjustment of any of the above may create an unsafe vehicle. In order to prevent improper installation, we strongly urge you to have the kit installed by your Honda Dealer.

**PARTS LIST**

Index No.	Part Name	Q'ty	Index No.	Part Name	Q'ty
①	Meter stay	1	③③	Screw, pan head, 6 x 28 mm	4
②	Sub wire harness	1	③④	Washer, plain, 6 mm	4
③	Wire harness band	2	③⑤	Collar, $\phi$ 6 mm ( $\ell$ =4 mm)	4
④	Coupler holder	1	③⑥	Windshield screen	1
⑤	Collar $\phi$ 6 mm ( $\ell$ =4 mm)	2	③⑦	Windshield screen base	1
⑥	Bolt, flange, 6 x 12 mm	2	③⑧	Nut, flange, 4 mm	2
⑦	Coupler holder cover	1	③⑨	Nutplate, windshield screen screw	2
⑧	Fairing Assy	1	④①	Cap, windshield screen	8
⑨	Front reflex reflector bracket, right	1	④②	Screw, 4 x 13 mm, windshield screen	4
⑩	Front reflex reflector bracket, left	1	④③	Collar, windshield screen, $\phi$ 6 mm ( $\ell$ =9 mm)	4
⑪	Bolt, flange, 8 x 20 mm	2	④④	Screw, 4 x 8 mm, windshield screen	4
⑫	Collar, 8mm, right	1	④⑤	Washer, plain, 4 mm	4
⑬	Collar, 8 mm, left	1	④⑥	Caution label, windshield screen	1
⑭	Bolt, flange, 8 x 55 mm, right	1	④⑦	Caution label, fairing pocket	2
⑮	Bolt, flange, 8 x 60 mm, left	1	④⑧	Washer, plain, 8 mm	2
⑯	Knee pad, right	1	④⑨	Pillar right	1
⑰	Knee pad, left	1	⑤①	Pillar left	1
⑱	Knee pad bracket, right	1	⑤②	Pillar right cover	1
⑲	Knee pad bracket, left	1	⑤③	Pillar left cover	1
⑳	Nut, flange, 6 mm	8	⑤④	Pillar right pad	1
㉑	Leg shield, right	1	⑤⑤	Pillar left pad	1
㉒	Leg shield, left	1	⑤⑥	Screw tapping 4 x 12 mm	4
㉓	Collar, $\phi$ 6 mm ( $\ell$ =7 mm)	4	⑤⑦	Screw tapping (PO) 4 x 12 mm	4
㉔	Screw, pan head, 6 x 16 mm	4	⑤⑧	Screw tapping 4 x 20 mm	2
㉕	Cap	4	⑤⑨	Washer, lock, 8 mm	2
㉖	Leg shield bracket, right	1	⑥①	Attachment, fairing bracket	1
㉗	Leg shield bracket, left	1	⑥②	Washer, lock, 8 mm	2
㉘	Grommet	2	⑥③	Bolt, socket head, 8 x 16 mm	2
㉙	Collar, $\phi$ 6 mm ( $\ell$ =12 mm)	2	⑥④	Bracket, headlight sensor	1
㉚	Bolt, flange, 6 x 20 mm	2	⑥⑤	Spacer, right fairing bracket	1
㉛	Rear view mirror, right	1	⑥⑥	Clip, 2 x 50 mm	1
㉜	Rear view mirror, left	1			

Fig. 1



**TOOLS REQUIRED**

- 8, 10, 12 and 14 mm spanners or box wrenches
- Flat- and point-headed screwdrivers
- 6 mm socket wrench
- Torque wrench

**TORQUES**

- Proper torque of the attaching hardware is essential. Be sure to tighten all bolts, nuts and screws to the specified torques.
- Torque values

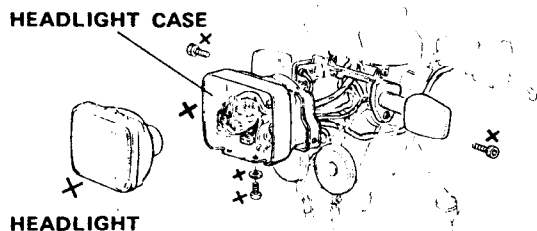
Item	Torque Value N-m (kg-m) (ft-lb)
6 mm bolt and nut	8-12 (0.8-1.2) (6-9)
8 mm bolt and nut	18-25 (1.8-2.5) (13-18)
10 mm bolt and nut	30-40 (3.0-4.0) (22-29)
6 mm screw	7-11 (0.7-1.1) (5-8)
8 mm flange bolt and nut	10-14 (1.0-1.4) (7-10)
10 mm flange bolt and nut	30-40 (3.0-4.0) (22-29)
8 mm socket bolt	18-25 (1.8-2.5) (13-18)

- Refer to the Shop Manual for detailed procedures.

## INSTALLATION

- 1) Remove the side covers. Remove the battery ground cable from the negative battery terminal.
- 2) Remove the headlight as follows:
  - a. Remove the headlight from the headlight case.
  - b. Disconnect the right and left turn signal wire coupler, horn harness wire coupler and headlight wire coupler inside the headlight case. Do not disconnect the other couplers.
  - c. Remove the headlight case. (Discard the headlight and headlight case.)

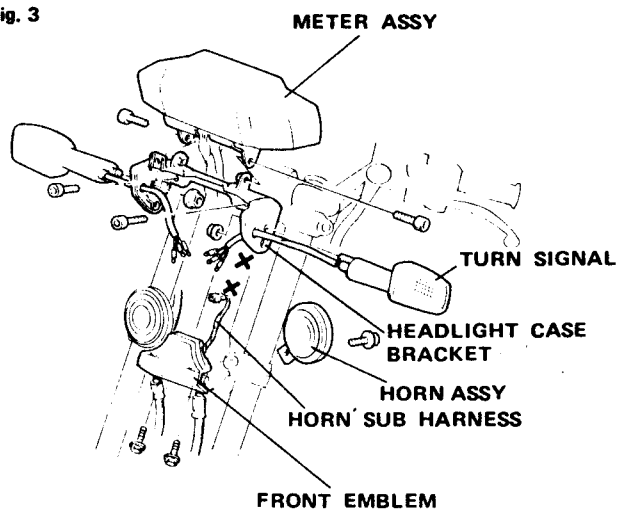
Fig. 2



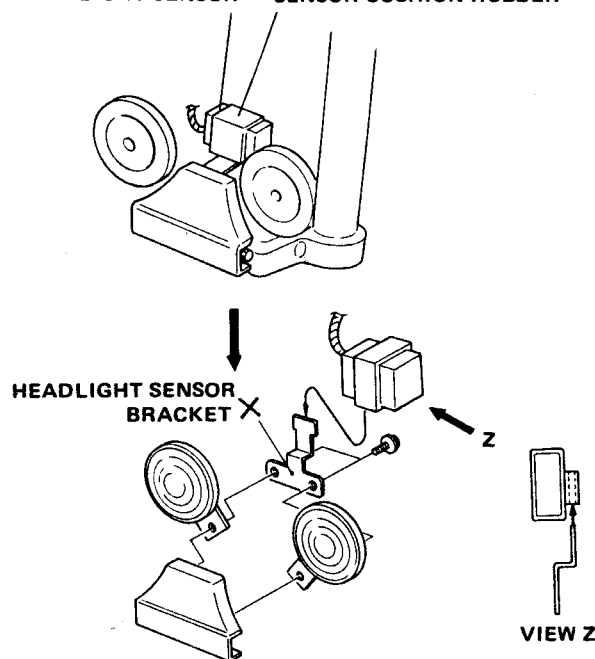
- 3) Remove the right and left turn signals.
- 4) Remove the headlight case bracket and install the meter bracket ①.
  - a. Remove the meter assembly from the headlight case bracket as shown in Fig. 3.
  - b. Remove the right and left horns from the front emblem. Discard the horn sub wire harness. Remove the headlight sensors and sensor bracket.

- c. Remove the headlight case bracket. (Discard the headlight case).

Fig. 3

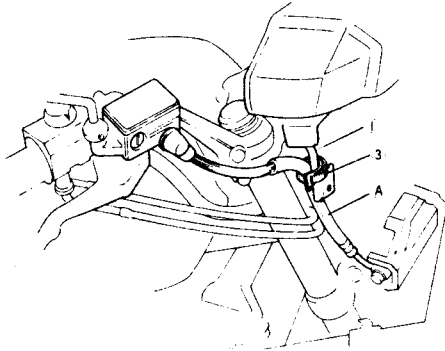


HEADLIGHT SENSOR SENSOR CUSHION RUBBER



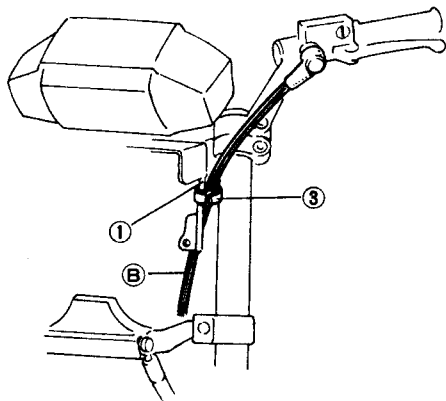
- d. Install the meter assembly on the meter bracket ① as shown in Fig. 4; install the bracket ① on the fork top bridge using the socket bolts, 8 mm lock washers ⑤⑦ and 8 mm plain washers ④⑦.
- e. Route the front brake cable ① behind the meter stay ① and tie it with the band ③ as shown in Fig. 4-A.

Fig. 4-A



- f. Attach the clutch cable ① to the meter mount bracket ① with the wire band ③ as shown in Fig. 4-B.

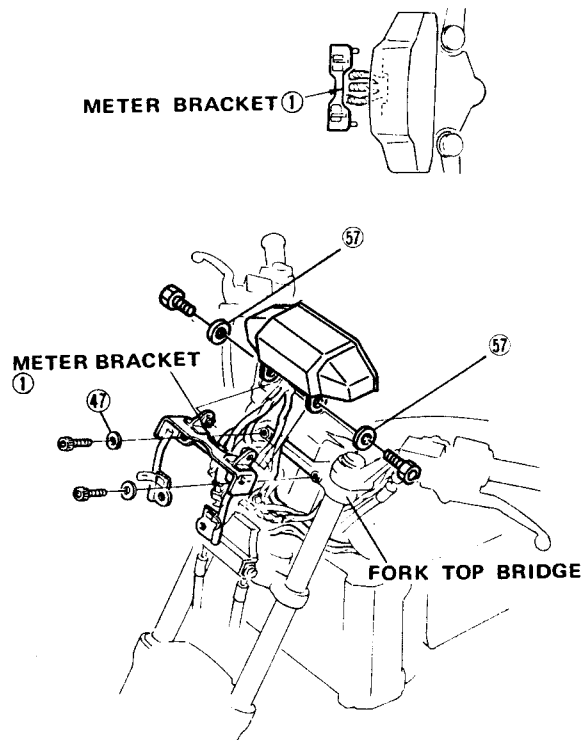
Fig. 4-B



**NOTE:**

- Route the meter and other wires down between the fork top bridge and bracket ① through the cutout ① in the bracket ① as shown in Fig. 4-C. Do not pinch the wires.
- Tighten the bolts to the specified torque.

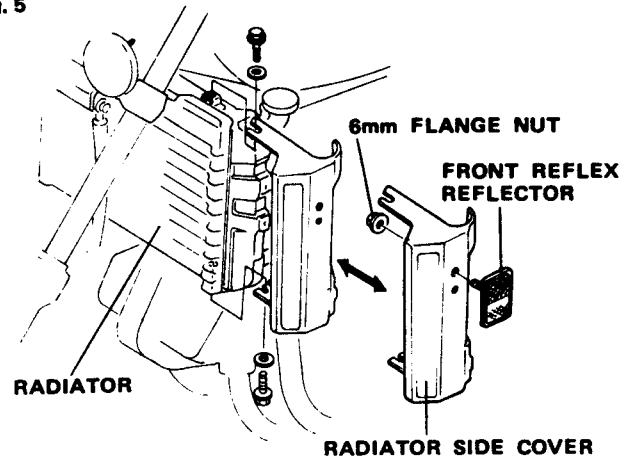
Fig. 4-C



5) Remove the right and left front reflex reflectors.

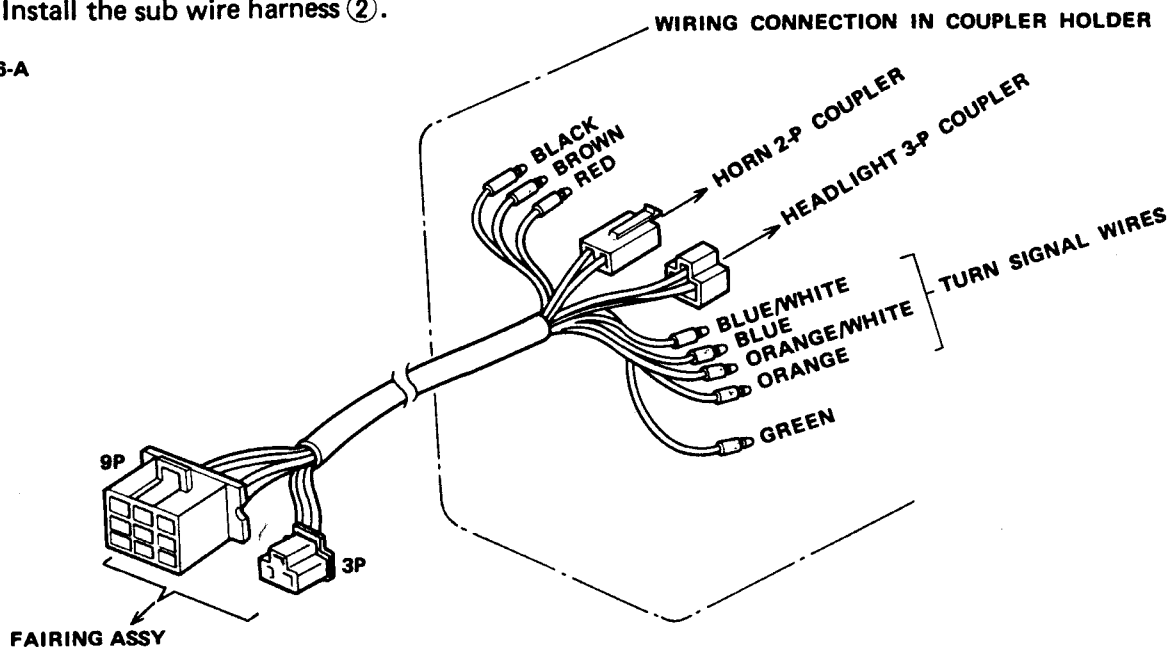
- a. To remove the reflectors, remove the right and left radiator side covers from the radiator. Remove the reflectors from the side covers by removing the 6 mm flange nuts.
- b. Reinstall the side covers.

Fig. 5



6) Install the sub wire harness ②.

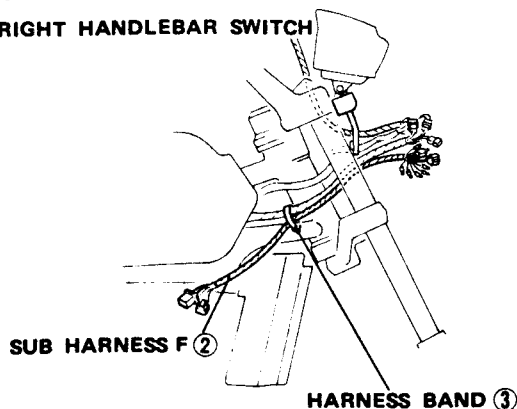
Fig. 6-A



- a. Attach the sub harness ② to the main harness with the harness band ③ as shown in Fig. 6-A.

Fig. 6-B

RIGHT HANDLEBAR SWITCH



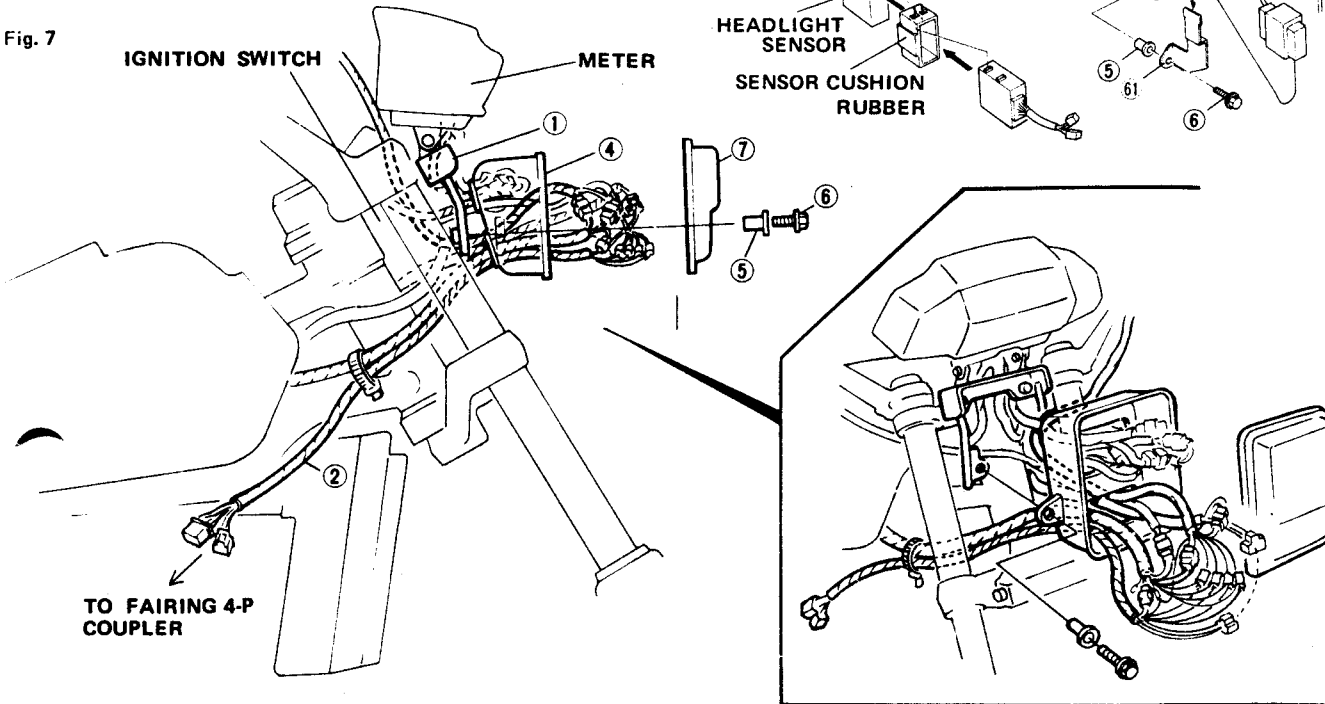
7) Install the coupler holder ④ and connect the wire harnesses.

- a. Check that the harnesses are not crossed or threaded with each other.
- b. Pull the harnesses forward into the coupler holder ④ through the upper and lower holes as follows:
  - Upper hole: Meter harness, right and left handlebar switch wires, ignition switch wires
  - Lower hole: Main harness, sub harness and other harnesses routed inside the fuel tank.

- c. Position the coupler holder ④ on the meter bracket ① and install using the two 6 x 12 mm flange bolts ⑥ and 6 x 4 mm collars ⑤ with the headlight sensor bracket ⑥<sup>1</sup> as shown in Fig. 7.
- d. Connect the sub harness ② to the horn harness, headlight harness and turn signal wires inside the holder ④ color-to-color. Remove the cushion from the headlight sensors and reinstall them in the cushion as shown in Fig. 7. Slide the cushion onto the

- e. Install the cover ⑦ on the coupler holder ④ as shown in Fig. 7.

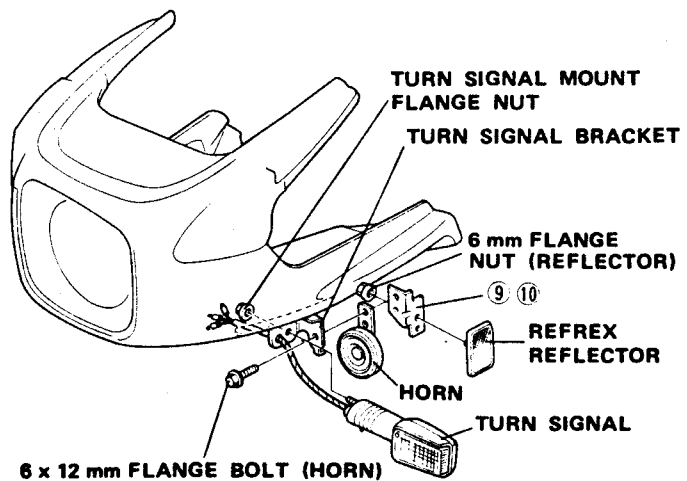
Fig. 7



**NOTE:** Tighten the bolts to the specified torque.

- 8) Install the right and left turn signals, horns and front reflex reflectors on the fairing assembly ⑧.
  - a. Place the fairing assembly ⑧ on a work bench and install the right and left turn signals, horns and reflex reflectors using the brackets ⑨ and ⑩ and attaching hardware as shown in Fig. 8-A.

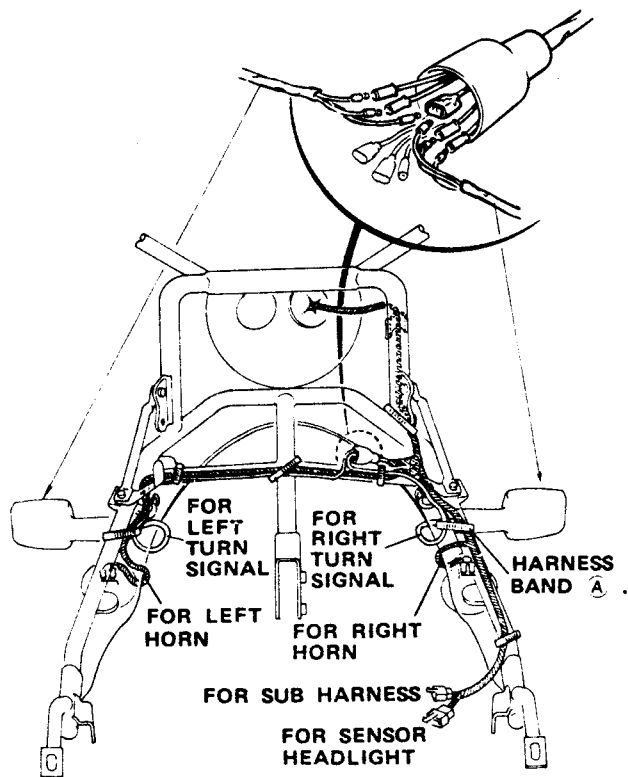
Fig. 8-A





- b. Secure the right and left turn signal wires with the harness band (A) without slack as shown in Fig. 8-B. Connect the sub harness horn wires to the right and left horns.

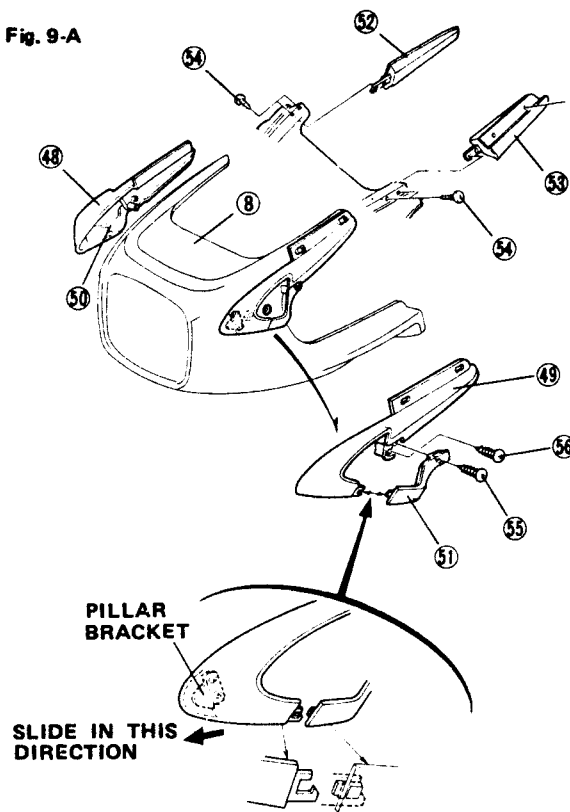
Fig. 8-B



- 9) Install the rear view mirrors (31) and (32) and windshield screen (36).

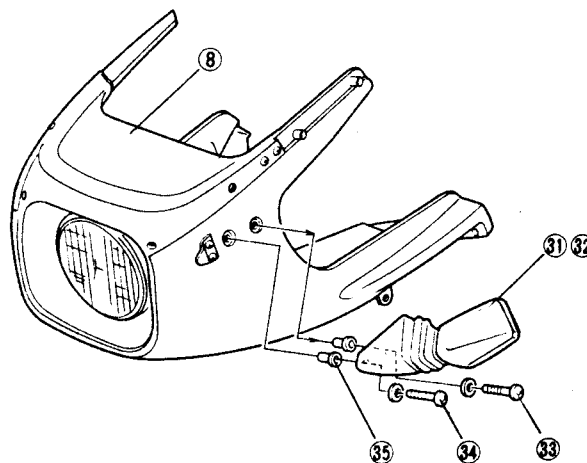
- a. Position the right and left side pillars pad (52) and (53) on the fairing (8) and install using the two 4 x 12 mm tapping screws (54) for each.

Fig. 9-A



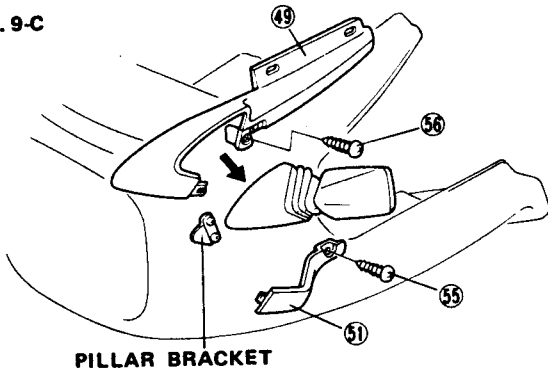
- b. Position the rear view mirrors (31) and (32) on the fairing assembly (8) and install using the two 6 x 28 mm pan head screws (33) and 6 mm plain washers (34) for each as shown in Fig. 9-B.

Fig. 9-B



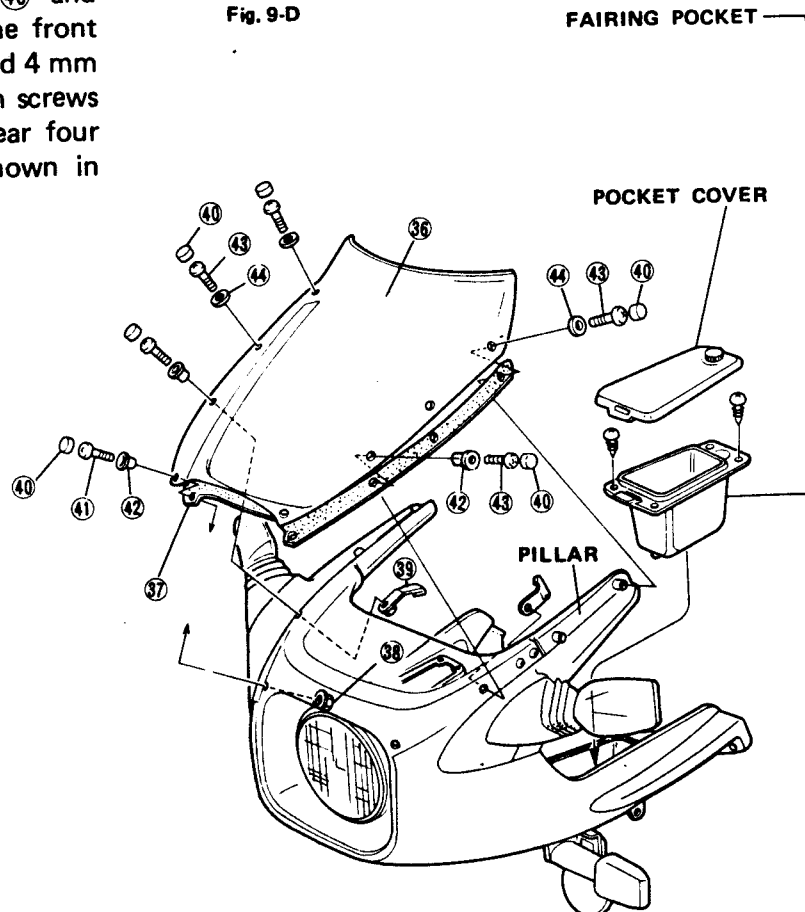
- c. Position the pillars ④⑧ and ④⑨ and pillar covers ⑤⑩ and ⑤⑪ on the fairing around the mirror brackets as shown in Fig. 9-C, and install using the hardware shown.

Fig. 9-C



- d. Remove the right and left fairing pockets from inside the fairing. Position the screen base ③⑦ and screen ③⑥ on the fairing and install using the 6 x 9 mm collars ④②, 4 x 13 mm screws ④①, caps ④③ and 4 mm flange nuts ③⑧ at the front four holes (2 on each side), and 4 mm plain washers ④④, 4 x 8 mm screws ④⑤ and caps ④⑥ at the rear four holes (2 on each side) as shown in Fig. 9-D.

Fig. 9-D



**NOTE:** Tighten the screws and caps to the specified torques.

**10) Install the fairing assembly (8) on the motorcycle.**

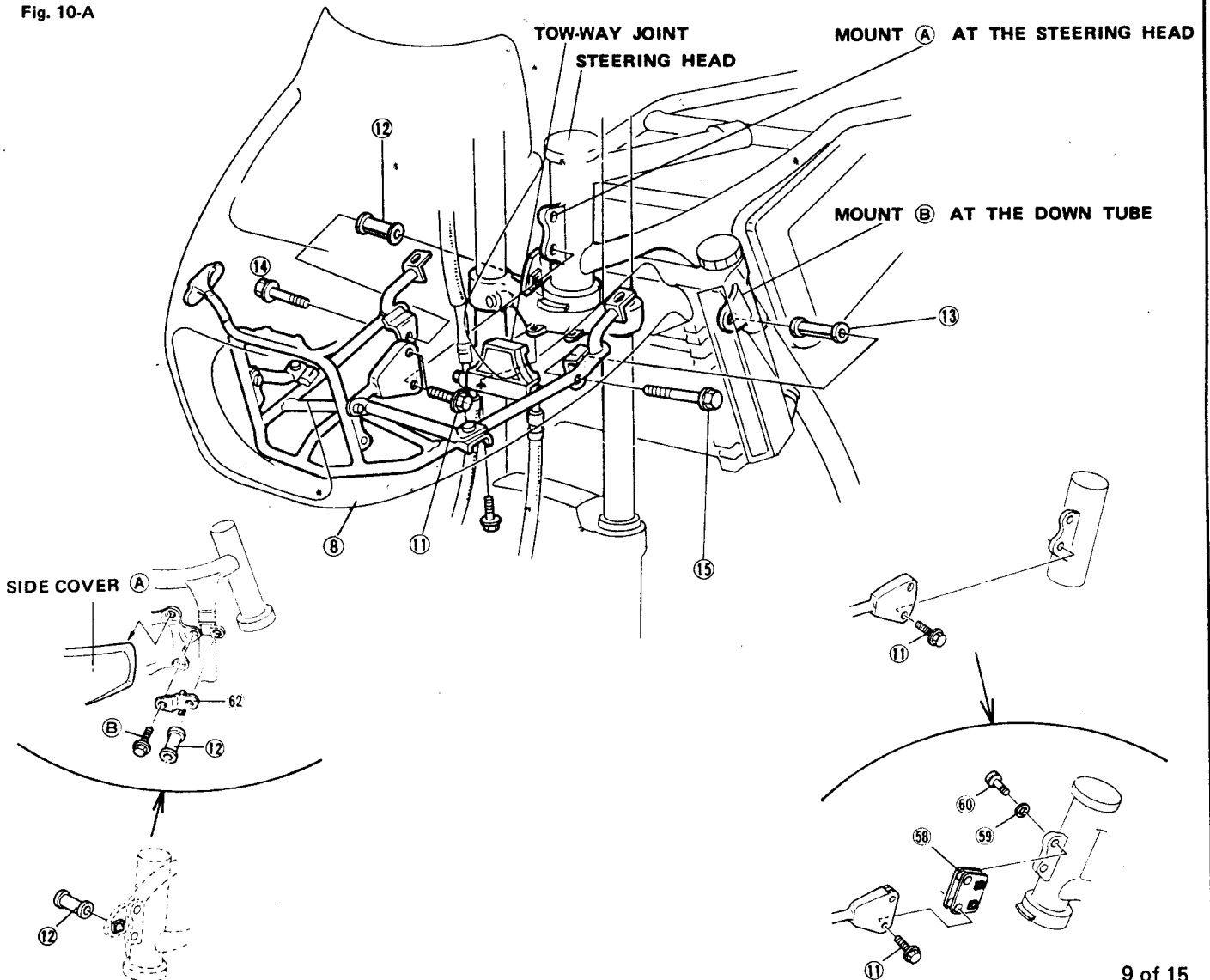
- a. Remove the tow-way joint by removing the bolt.
- b. Remove the right side cover (A) and unscrew the 6 mm flange bolt (B). Referring to Fig. 10-A, position the spacer and right fairing bracket (62) on the right mount (B) at the down tube and install using the 6 mm flange bolt (B).
- c. Position the fairing bracket attachment (58) on the mount (A) at the steering head and install using the two 8 x 16 mm bolts (20) and 8 mm lock washers (59).

**NOTE:** Before installing, mark the attachment so it is not installed upside down.

Position the center bracket to the attachment (58) and install using the two 8 x 20 mm flange bolts (11).

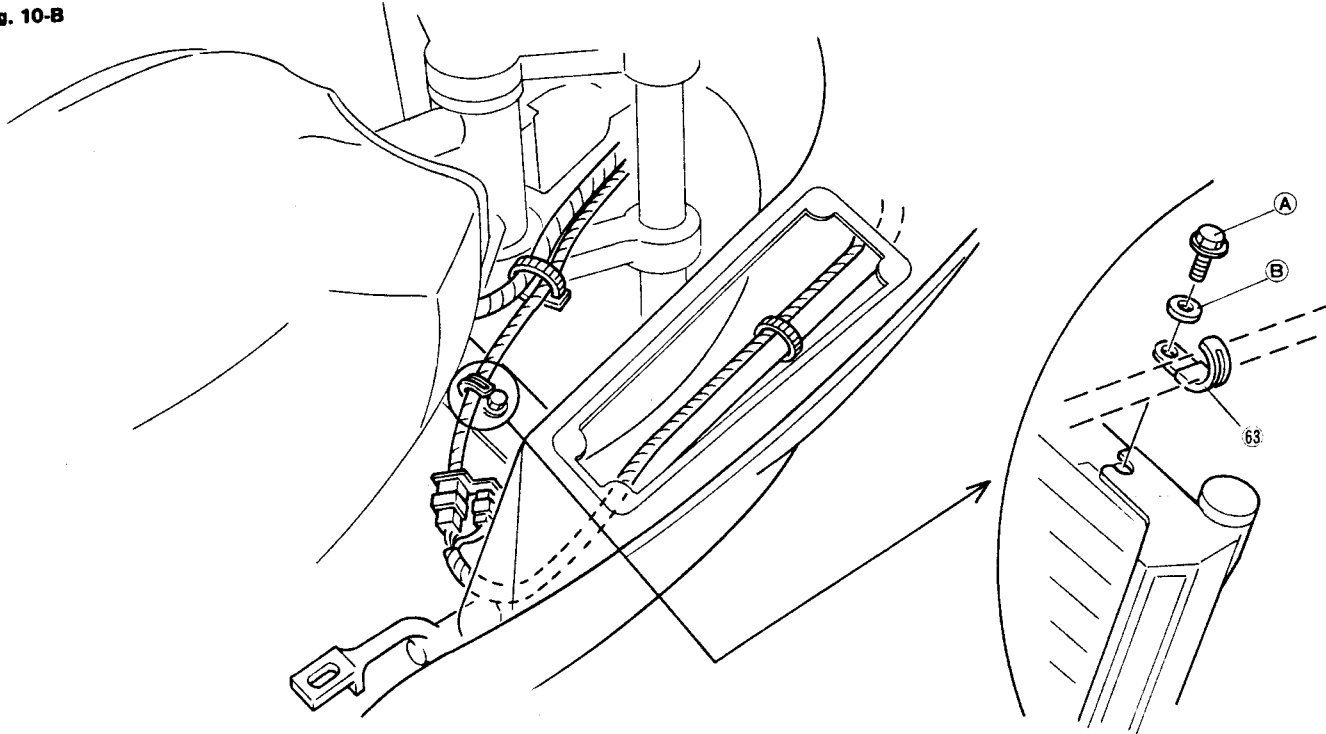
- d. Position the right and left fairing brackets on the mounts (B) between the radiator and air cleaner cover (right and left) and install using the collar (12) and 8 x 55 mm flange bolt on the right side and collar (13) and 8 x 60 mm flange bolt (15) on the left side.
- e. Reinstall the two-way joint.

Fig. 10-A



- f. Tighten all 8 mm bolts.  
**NOTE:** Tighten the 8 mm flange bolts to the specified torque.

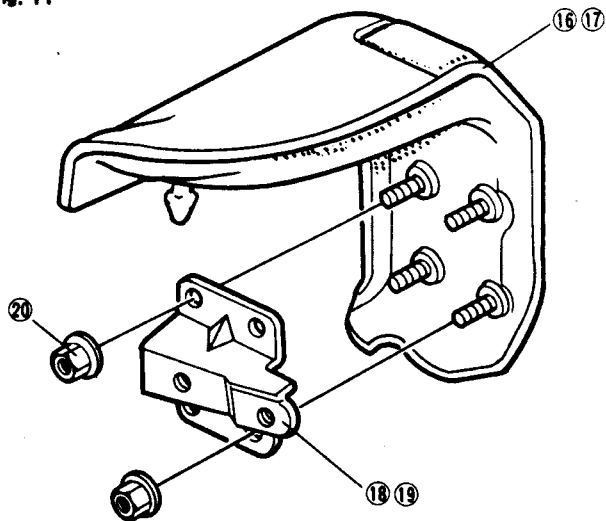
Fig. 10-B



- g. Connect the fairing wire harness to the sub wire harness (3) as shown in Fig. 10-B and secure the sub wire harness (3) with the clip (63).

- 11) Install the pad brackets (18) and (19) on the knee pads (16) and (17)  
 a. Position the bracket (18) / (19) on the pads (16) / (17) and install using the four 6 mm flange nuts.

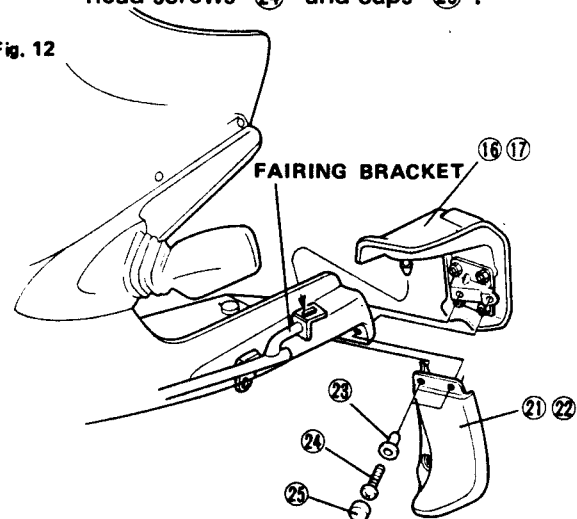
Fig. 11



**NOTE:** Tighten the nuts to the specified torque.

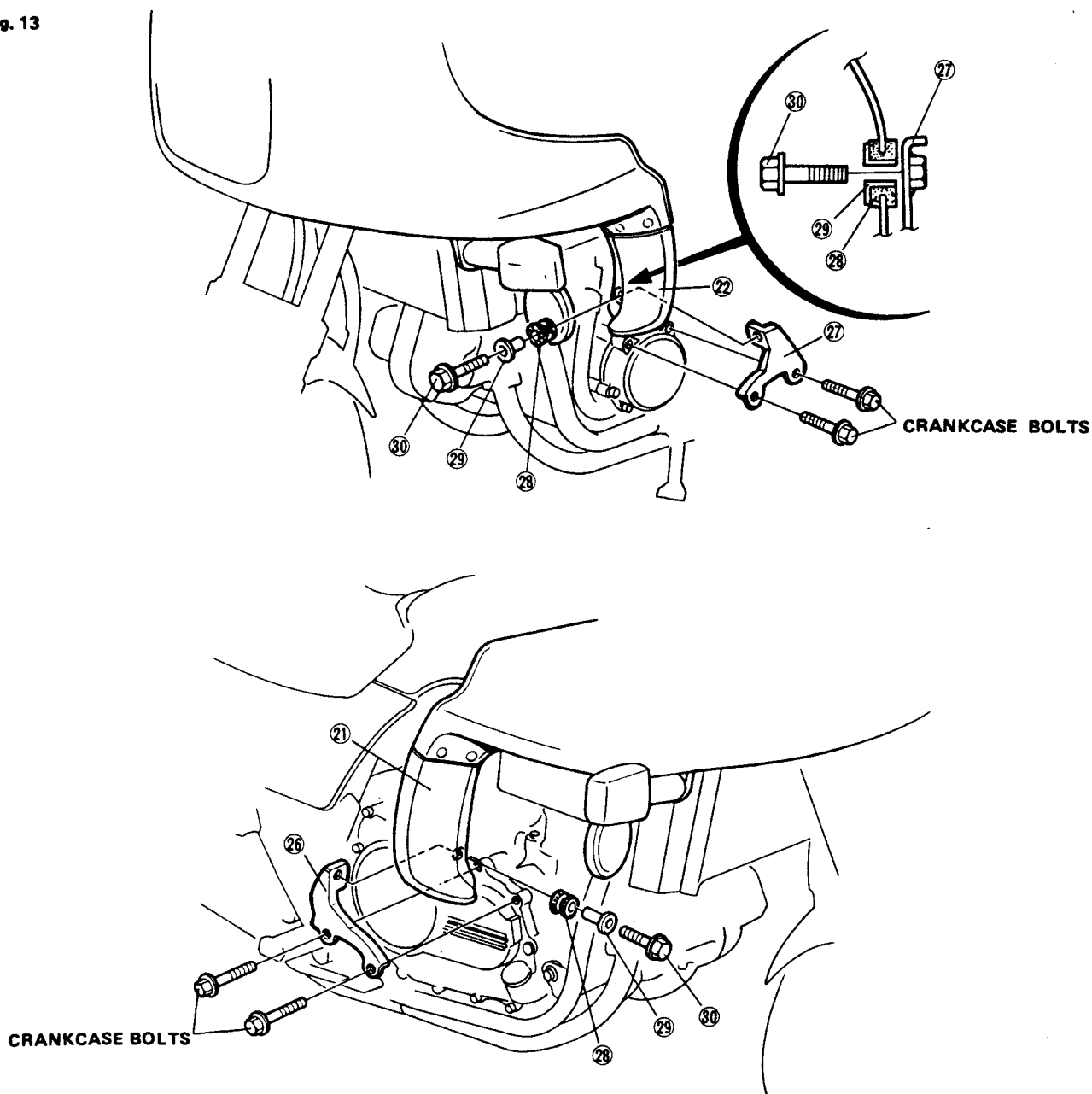
- 12) Install the knee pads (16) and (17) and leg shields (21) and (22) on the fairing assembly (8).  
 a. Position the leg shields (21) and (22) and knee pads (16) and (17) on the fairing, with the tabs on the knee pads pressed into holes in the fairing brackets and install using the two 6 x 9 mm collars (23), 6 x 16 mm pan head screws (24) and caps (25).

Fig. 12



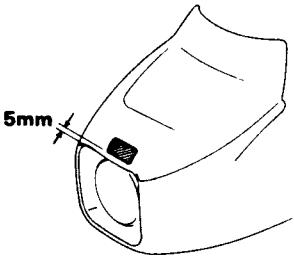
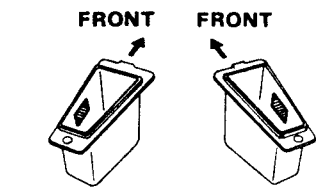
- 13) Install the leg shield brackets ②⑥ and ②⑦ on the leg shields ②① and ②② .
- a. Press the grommets ②⑧ and collars ②⑨ into holes in the leg shields ②① and ②② .
  - b. Position the leg shield brackets ②⑥ and ②⑦ on the leg shields ②① and ②② and install using a 6 x 20 mm flange bolt ③⑩ for each.
  - c. Remove and retain the two crankcase bolts. Install the leg shield brackets ②⑥ and ②⑦ on the crankcase using the bolts retained.

Fig. 13



NOTE: Tighten the bolts to the specified torque.

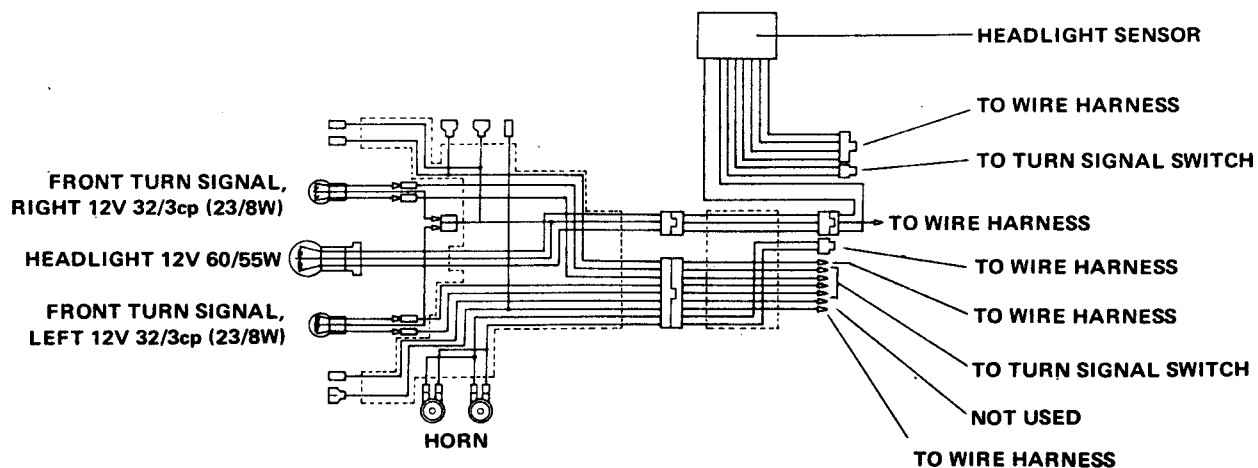
14) Attach the caution labels as follows.

NAME	ILLUSTRATION
<p>WINDSHIELD CAUTION LABEL</p>	 <p>5mm</p> <p>Fig. 14</p>
<p>FAIRING POCKET CAUTION LABEL</p>	 <p>FRONT FRONT</p> <p>LEFT POCKET RIGHT POCKET</p> <p>Fig. 15</p>

- 15) Remove mirrors from the handlebar.
- 16) Remove the headlight shield and adjust the headlight aiming.
- 17) Connect the battery ground cable to the negative battery terminal. Reinstall the side covers.

18) The weight of the fairing: 19 kg-2.5 kg  
(weight removed) = 16.5 kg assembly

Fig. 16



## PRE-DELIVERY SERVICE CHECK LIST

**NOTE:** Check all items listed on the following Pre-delivery Service Check List. Refer to Owner's manual or shop manual for specifications and detailed procedures. Always test ride the unit to make sure that it is functioning properly.

- Check the handlebar lever position.
- Check the brake cable routing.
- Adjust mirrors.
- Check choke operation and adjust idle speed.
- Check throttle grip free play, cable routing, and operation in all steering positions.
- Check tire pressure.
- Check operation and air pressure of front suspension.
- Inspect electrical components for proper operation and adjustment:
  - Headlight: Adjust high and low beam aim, and check high beam pilot light.
  - Turn signals.
  - Horn.
  - Engine stop switch.
  - Starter.
  - Instrument, flasher, oil pressure, headlight and neutral indicator lights.
- Check security of all nuts, bolts, and other fasteners.
- Check to ensure all applicable recall and product update campaigns are complied with.
- TEST RIDE:** Check performance, handling, and operation:
  - Acceleration: Smoothness, etc.
  - Cruising: Smoothness, etc.
  - Handling: Stability and cornering.
  - Brakes: Smoothness and stopping power.
  - Idling: Smoothness, throttle response, return to idle.
  - Recheck idle speed after 10 minutes of stop and go driving.
  - Speedometer and Tachometer: Proper operation.
  - Upon completion of test ride, check for fuel, oil, or coolant leaks.

## RULES FOR SAFER RIDING

### WARNING

- Fairing pockets are for lightweight items. Do not carry more than 5 lbs in each pocket.
- Load weight equally in both pockets to minimize imbalance.
- Review Loading and Accessories before loading.
- Follow all safety notes and precautions described in the Owner's Manual.
- The weight of the accessory is shown below:

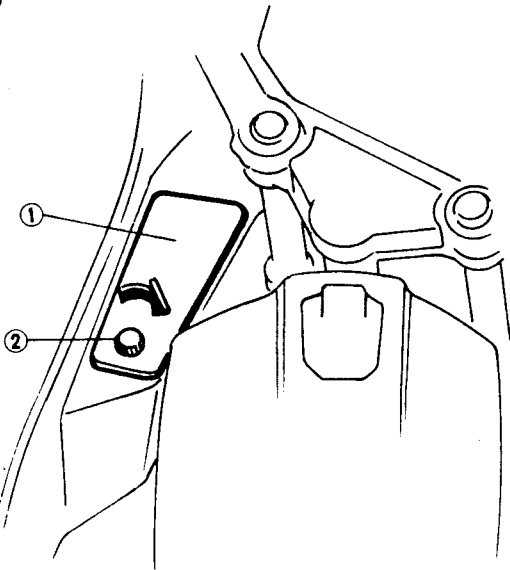
Weight added to motorcycle	16.5 kg (36.4 lbs)
----------------------------	--------------------

## HANDLING PRECAUTIONS

### Fairing Pockets

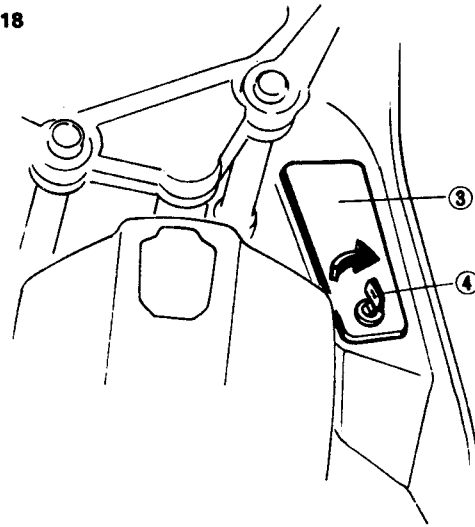
To remove the left pocket lid ①, turn the knob ② clockwise and pull up the lid.

Fig. 17



To remove the right pocket lid ③, insert the key ④, turn it clockwise and pull up the lid.

Fig. 18



When washing your motorcycle, be careful not to flood this area with water.

To attach either pocket lid, align slot in front edge of lid with lug in pocket; push rear end of lid down until it snaps shut.

### Headlight Beam Adjustment

The headlight beam can be raised or lowered by turning the vertical beam adjusting knob

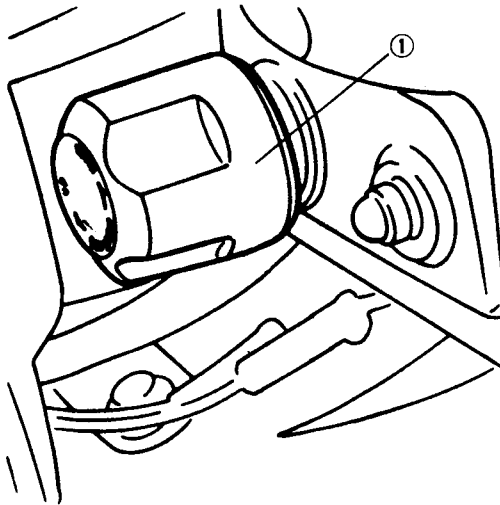
- ①. Obey local laws and regulations.



 **WARNING**

- Do not adjust the headlight beam while riding the motorcycle. Keep both hands on the handlebars while riding.

Fig. 19



### REMOVAL OF LEG SHIELD

(When atmospheric temperature is high)

- When the atmospheric temperature is high, remove the leg shields R/L ①, ②, brackets R/L for leg shields ⑥, ⑦, grommets ⑧, collars ⑨ and flange bolts 6 x 20 ⑩ for both right and left sides as shown in Fig. 20.

Fig. 20

